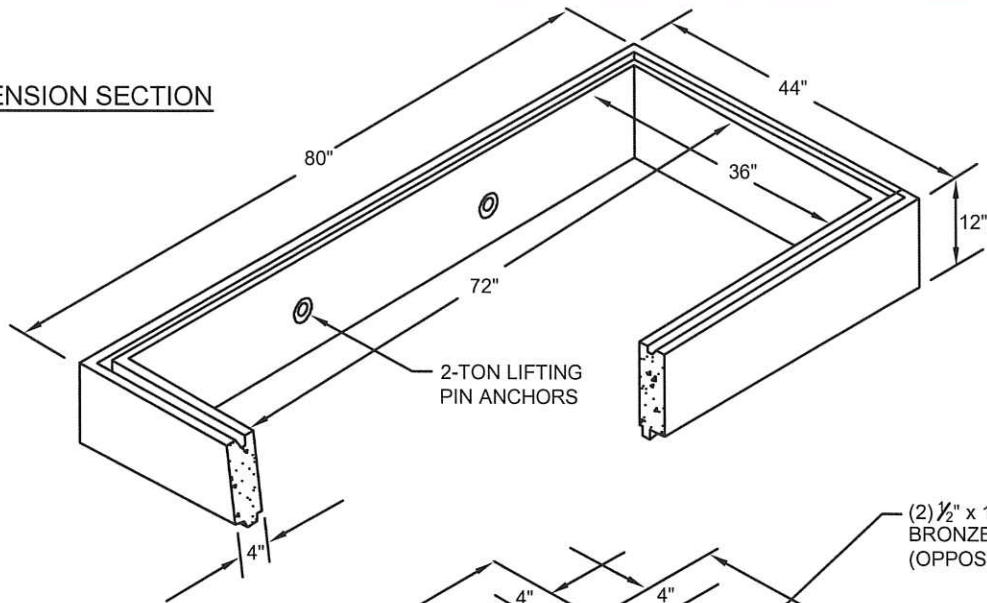
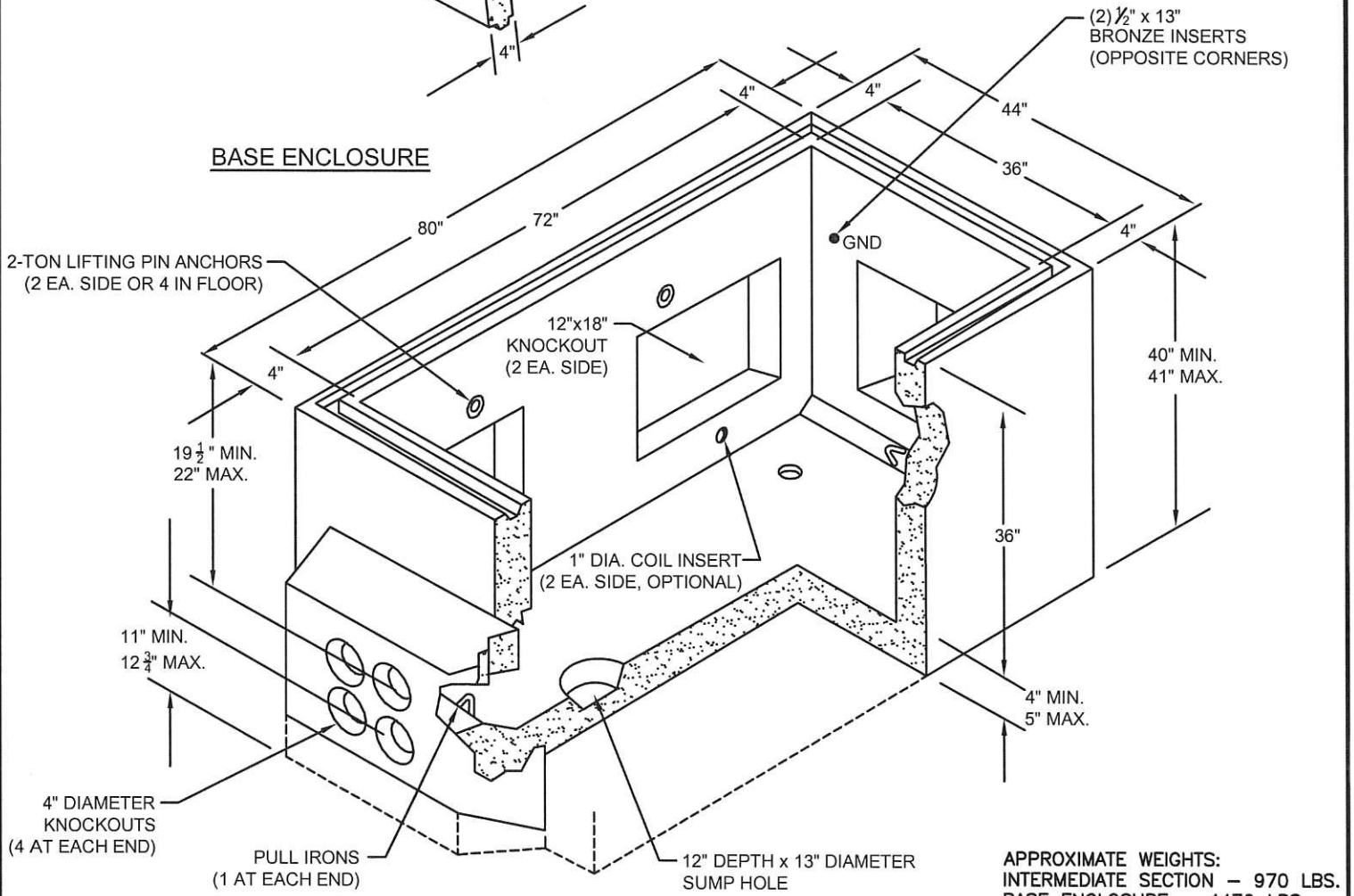


INTERMEDIATE EXTENSION SECTION



BASE ENCLOSURE

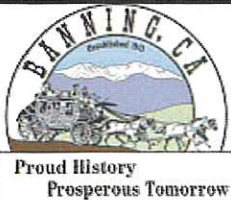


APPROXIMATE WEIGHTS:
INTERMEDIATE SECTION - 970 LBS.
BASE ENCLOSURE - 4470 LBS.

NOTES:

1. LOCATE VAULT AS DIRECTED BY C.O.B. ELECTRIC UTILITY.
2. INSTALL GROUNDING PER C.O.B. STANDARD DRAWING #600-20.
3. INSTALL A MINIMUM 8" OF 3/4" CRUSHED ROCK UNDER VAULT.
4. ALLOW UP TO 3" OF EXTRA EXCAVATION DEPTH FOR ADJUSTING LID TO FINAL GRADE.
5. PROVIDE UNOBSTRUCTED SPACE CLEARANCES AROUND VAULT PER SD #600-72.

REF: 3314.2



REVISED: 08/13/2019

APPROVED: *[Signature]*

STANDARD DRAWINGS

CONCRETE VAULT BASE, 36"x72"

SD

600-52