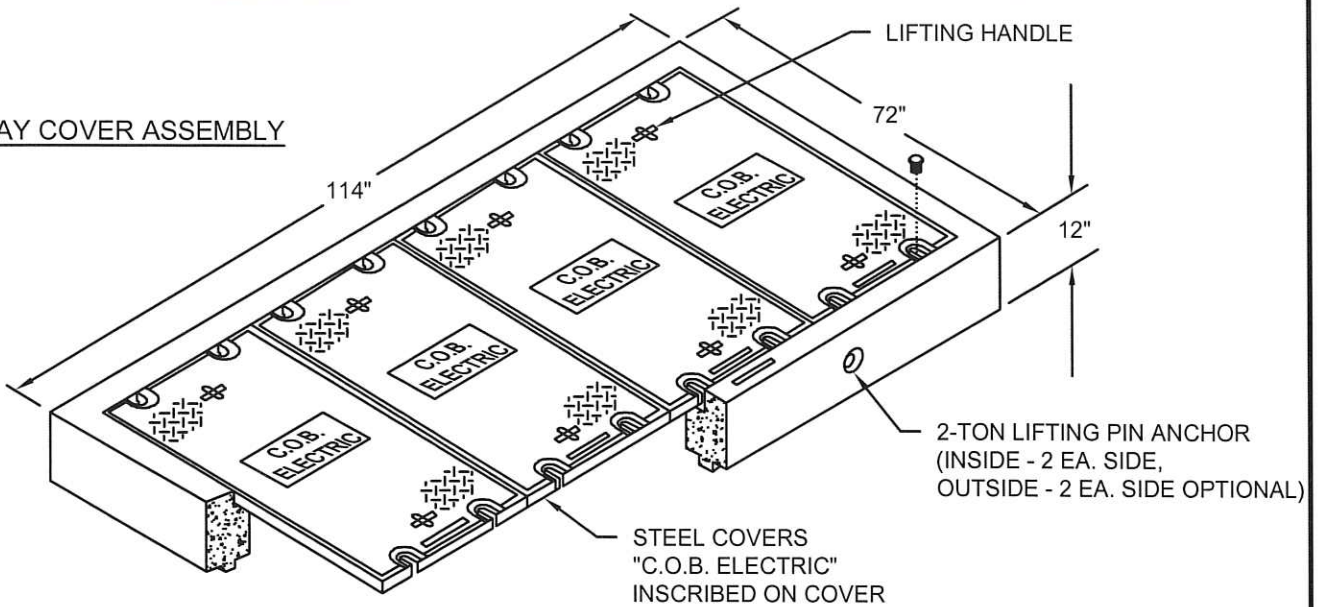
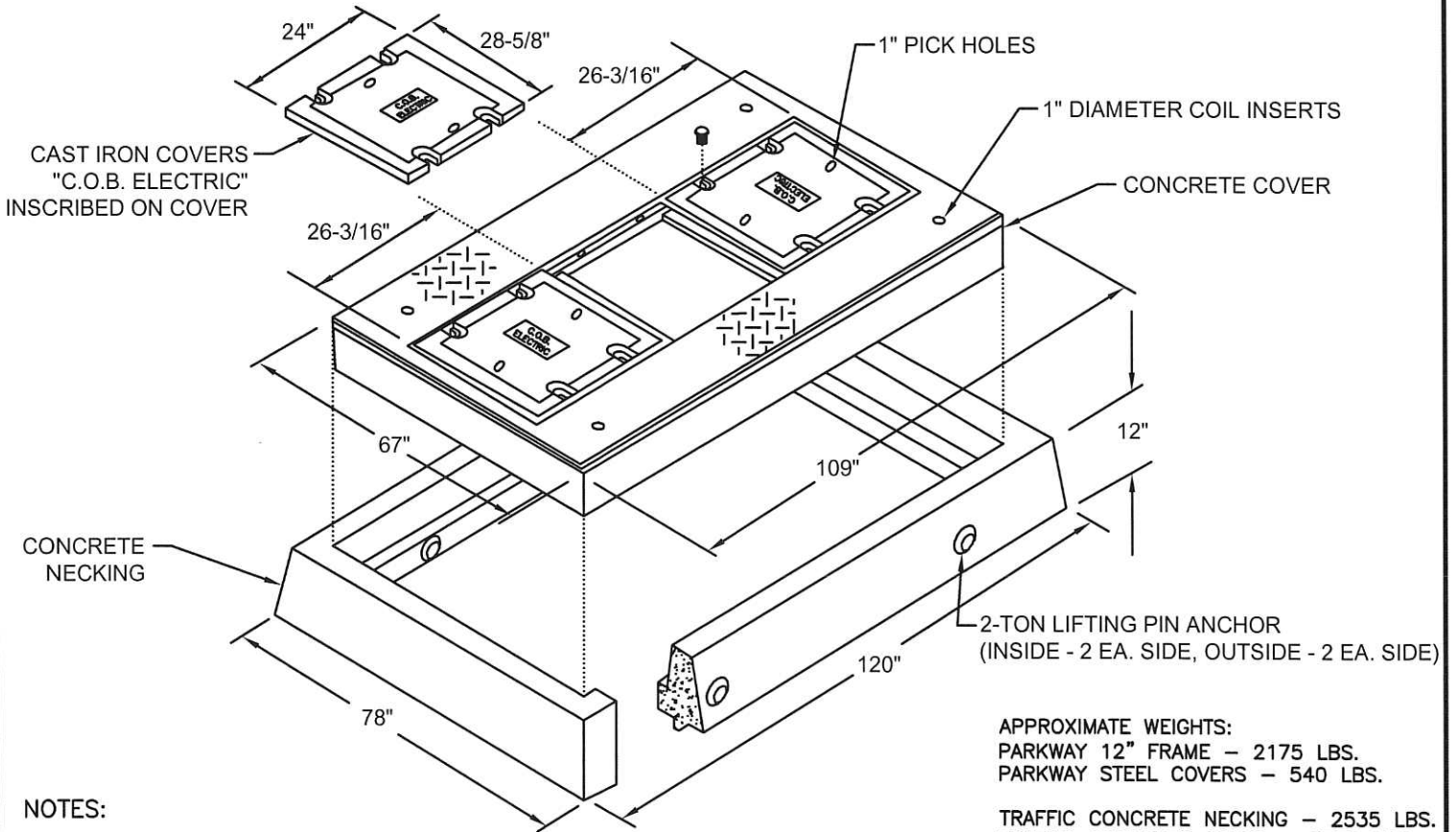


PARKWAY COVER ASSEMBLY



TRAFFIC COVER ASSEMBLY



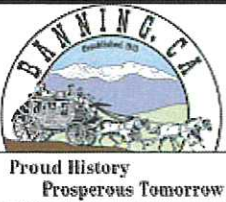
APPROXIMATE WEIGHTS:
 PARKWAY 12" FRAME - 2175 LBS.
 PARKWAY STEEL COVERS - 540 LBS.

TRAFFIC CONCRETE NECKING - 2535 LBS.
 TRAFFIC CONCRETE COVER - 3775 LBS.
 TRAFFIC CAST IRON COVERS - 680 LBS.

NOTES:

1. LOCATE VAULT AS DIRECTED BY C.O.B. ELECTRIC UTILITY.
2. INSTALL GROUNDING PER C.O.B. STANDARD DRAWING #600-21.
3. INSTALL A MINIMUM 8" OF 3/4" CRUSHED ROCK UNDER VAULT.
4. ALLOW UP TO 3" OF EXTRA EXCAVATION DEPTH FOR ADJUSTING LID TO FINAL GRADE.
5. PROVIDE UNOBSTRUCTED SPACE CLEARANCES AROUND VAULT PER SD #600-72.

REF: 3316.1



REVISED: 08/13/2019

APPROVED: *[Signature]*

STANDARD DRAWINGS

CONCRETE VAULT COVER, 60"x102"

SD

600-55