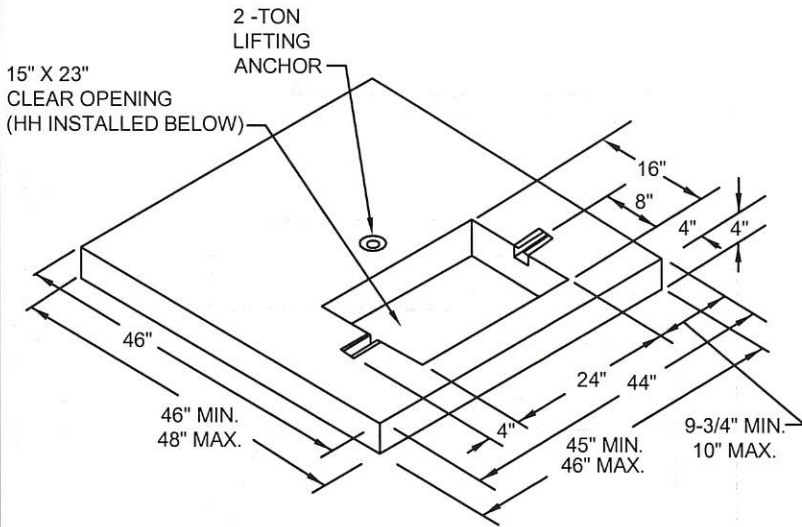
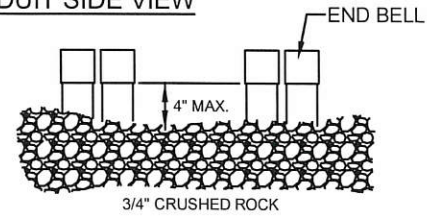


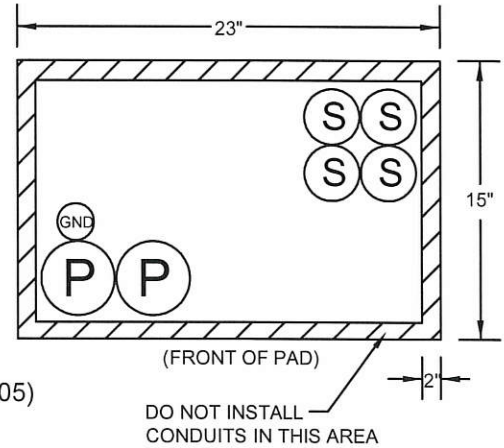
TRANSFORMER PAD



CONDUIT SIDE VIEW

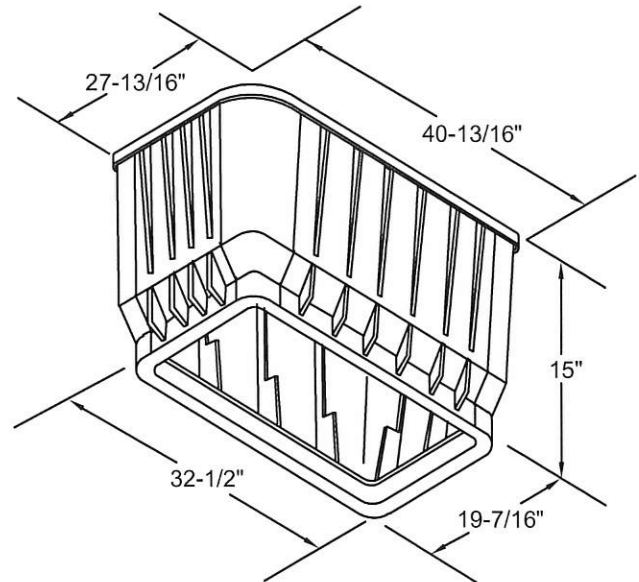
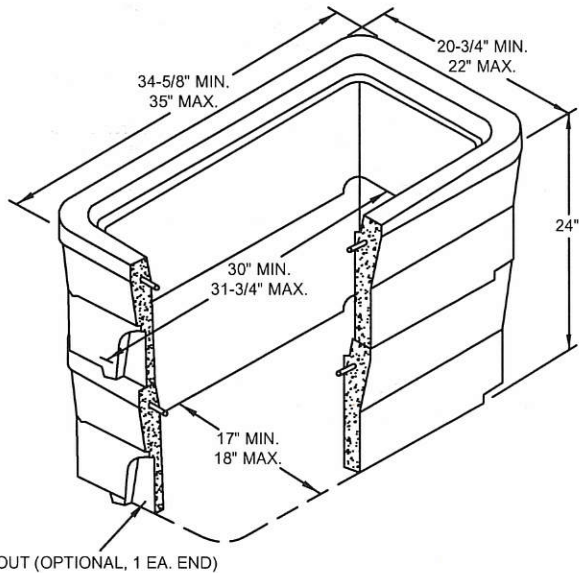


CONDUIT TOP VIEW



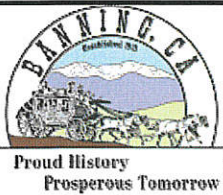
HANDHOLE INSTALLED BELOW PAD OPENING

*OPTION TO INSTALL FLIPPED POLYMER HANDHOLE (C.O.B. SD #600-05)
OR DOUBLE CONCRETE HANDHOLE (C.O.B. SD #600-03.2)



NOTES:

1. LOCATE HANDHOLE AND PAD AS DIRECTED BY C.O.B. ELECTRIC UTILITY.
2. INSTALL GROUNDING SYSTEM PER C.O.B. STANDARD DRAWING #600-22.
3. INSTALL A MINIMUM 8" OF 3/4" CRUSHED ROCK UNDER BOTH THE HANDHOLE AND PAD.
4. INSTALL END BELLS AND EXPANDABLE RUBBER PLUGS ON EACH EXPOSED CONDUIT.
5. BUNDLE CONDUITS TOGETHER IN OPPOSITE CORNERS (INCLUDE GROUND WIRE WITH PRIMARIES.)
6. IF REQUIRED BY C.O.B. INSPECTOR, INSTALL PROTECTIVE BARRIERS PER SD #600-06.
7. PROVIDE UNOBSTRUCTED SPACE CLEARANCES AROUND PAD PERIMETER PER SD #600-05.



REVISED: 02/20/2018

APPROVED: *[Signature]*

STANDARD DRAWINGS

**PRECAST CONCRETE PAD
SINGLE-PHASE TRANSFORMER**

SD

600-61